

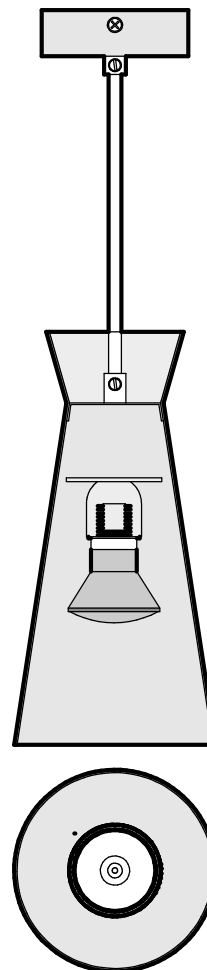
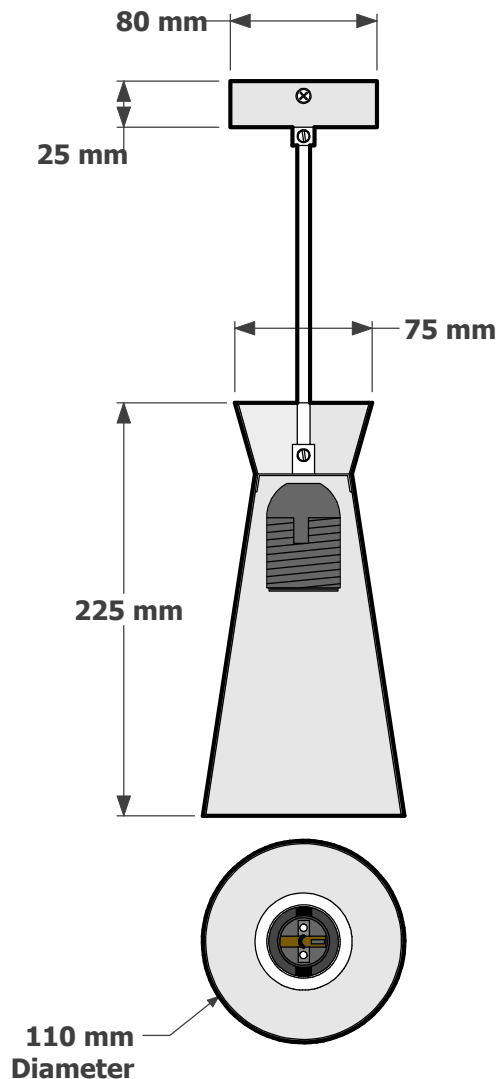
TORSO PENDANT

CREATING YOUR OWN CUSTOM METRO TORSO PENDANT

THE TORSO PENDANT COME STANDARD IN ALUMINIUM, ON AN 80MM DIAMETER CANOPY, 1MT PVC FLEX AND A GU10 LAMPHOLDER. MANUFACTURED TO YOUR REQUIRED LENGTH. GLOBES NOT SUPPLIED.

Other lamp holder options are B22 and E27
Elettra has a complete selection of ceiling canopies and coverplates to choose from.
Various fabric cables or rods available.
Metal cord grips, that can be finished to match your shade.
The Torso pendant is available in aluminium in extensive range of powder coats and finishes.

Search these options under accessories and finishes at www.elettra.com.au



PRODUCT CODE
051

TORSO PENDANT DATA SHEET

www.elettra.com.au



Please remember to confirm the finish of your order and any customising that may differ from the data sheet.

sales@elettra.com.au