

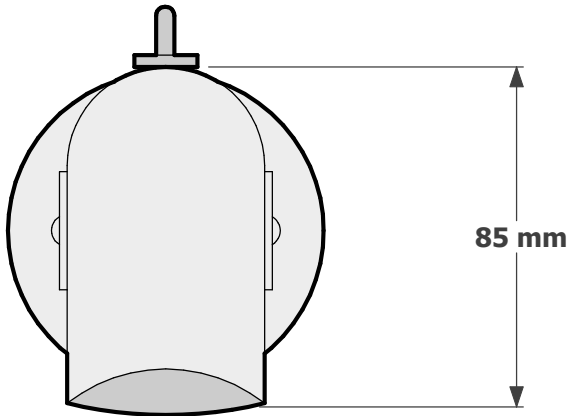
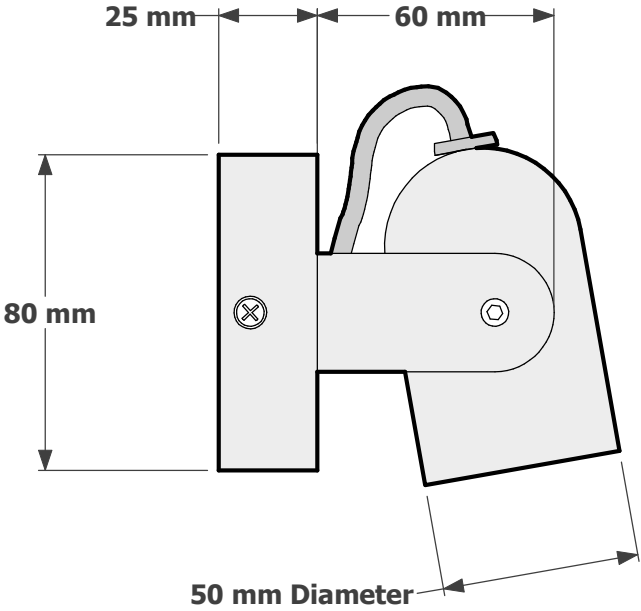
MINI IGG WALL LIGHT

CREATING YOUR OWN CUSTOM MINI IGG WALL LIGHT FITTING.

The Mini Igg wall light comes standard with a E27 lamp holder and fixed to a 80mm diameter canopy. The Igg wall light can be made to order in brass and copper and is available in an extensive range of powder coats and finishes.

Search these options under accessories and finishes at www.elettra.com.au

ALUMINIUM IGG WALL LIGHT
PRODUCT CODE: [010-805-004](#)



MINI IGG WALL LIGHT DATA SHEET

www.elettra.com.au



Please remember to confirm the finish of your order and any customising that may differ from the data sheet.

sales@elettra.com.au