

METRO SIX AND EIGHT UP/DOWN PENCIL WALL LIGHTS

CUSTOMISING YOUR METRO SIX AND EIGHT PENCIL WALL LIGHT FITTINGS.

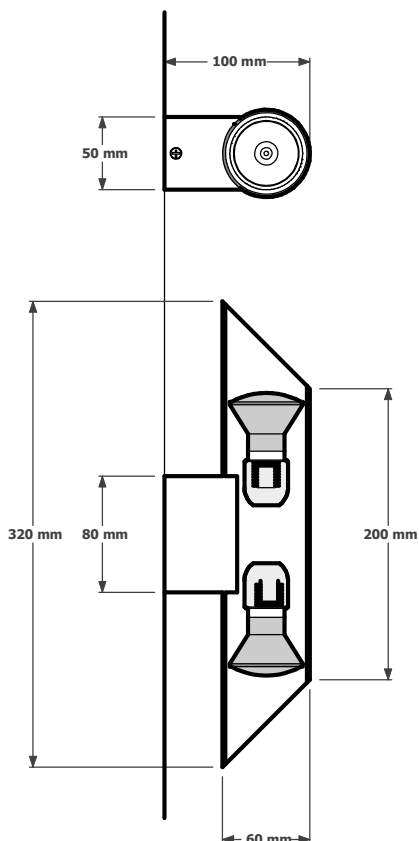
The Metro Six and Eight pencil wall light up/down has been drawn with a 200mm long front. Although they can be manufactured to your own required length and the back mounting box can be positioned at different heights. Both the Metro Six and Eight pencil wall lights can be completed in an extensive range of powder coats and finishes.

Available in ALUMINIUM, BRASS and COPPER

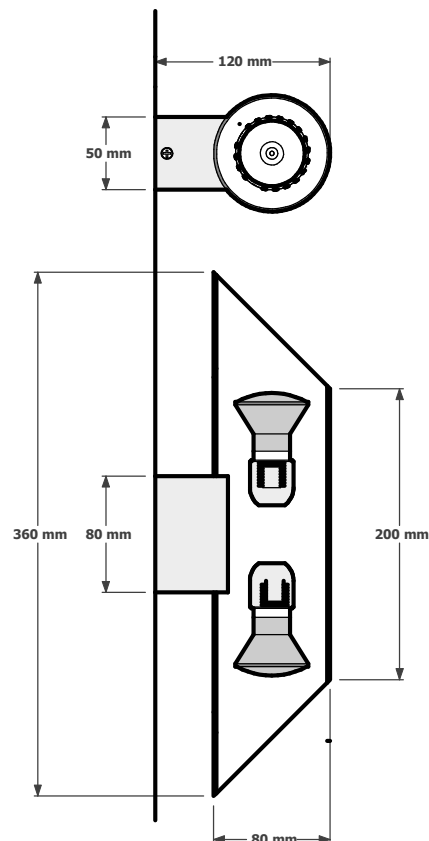
Search these options under accessories and finishes at www.elettra.com.au



METRO SIX PENCIL WALL LIGHT UP/DOWN PRODUCT CODE 010-306-103



METRO EIGHT PENCIL WALL LIGHT UP/DOWN PRODUCT CODE 010-310-004



METRO SIX AND EIGHT PENCIL WALL LIGHT DATA SHEET

www.elettra.com.au



Please remember to confirm the finish of your order and any customising that may differ from the data sheet.

sales@elettra.com.au