

# METRO EIGHT UP/DOWN AND DOWN ONLY WALL LIGHT

## CUSTOMISING YOUR METRO EIGHT WALL LIGHT FITTINGS.

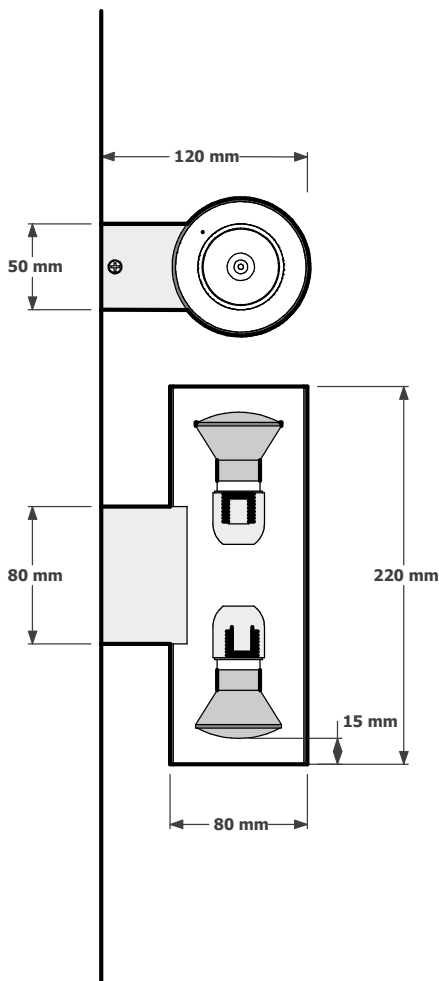
The Metro Eight wall light up/down has been drawn 220mm long and the Metro Eight down light 150mm long, although they can be manufactured to your own required length and the back mounting box can be positioned at different heights. Both the Metro Eight wall lights can be completed in an extensive range of powder coats and finishes.

Available in ALUMINIUM, BRASS and COPPER

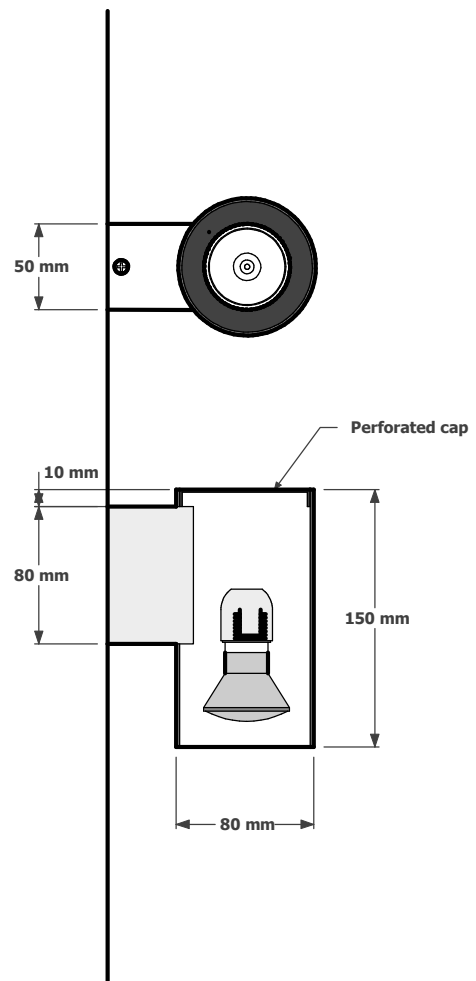
Search these options under accessories and finishes at [www.elettra.com.au](http://www.elettra.com.au)



METRO EIGHT WALL LIGHT UP/DOWN  
PRODUCT CODE 010-310-001



METRO EIGHT WALL LIGHT DOWN ONLY  
PRODUCT CODE 010-310-002



METRO EIGHT WALL  
LIGHT DATA SHEET

[www.elettra.com.au](http://www.elettra.com.au)



Please remember to confirm the finish of your order and any customising that may differ from the data sheet.

[sales@elettra.com.au](mailto:sales@elettra.com.au)