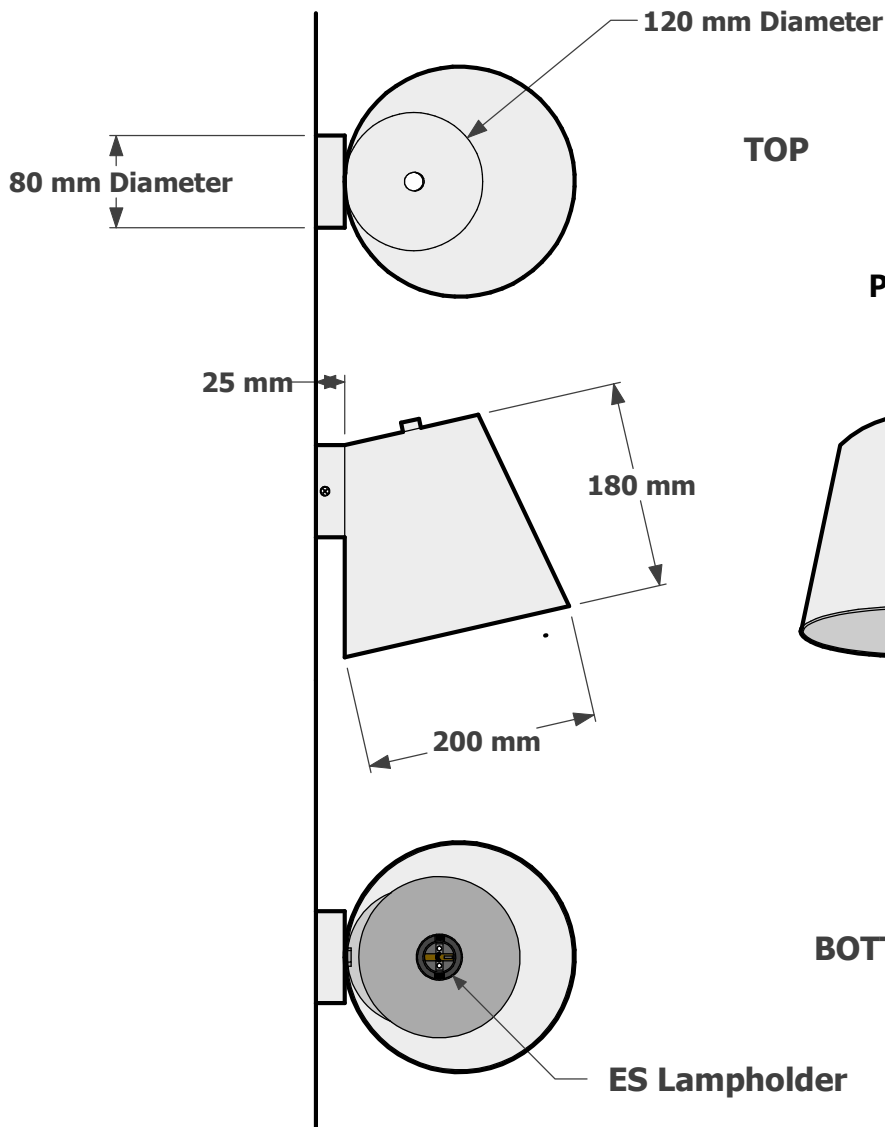


VITO WALL LIGHT

CREATING YOUR OWN CUSTOM VITO WALL LIGHT FITTING.

The Vito wall light comes standard with a E27 lamp holder and fixed to a 80mm diameter canopy. Gently angled away from the wall, increasing the light cover the Vito Wall light is available in an extensive range of powder coats and finishes.

Search these options under accessories and finishes at www.elettra.com.au



VITO WALL LIGHT
PRODUCT CODE: **010-830-001**



VITO WALL LIGHT
DATA SHEET

www.elettra.com.au

ELETTRA
products

Please remember to confirm the finish of your order and any customising that may differ from the data sheet.

sales@elettra.com.au