

120MM DIAMETER CANOPIES

CUSTOMISING YOUR 120MM DIAMETER CANOPIES

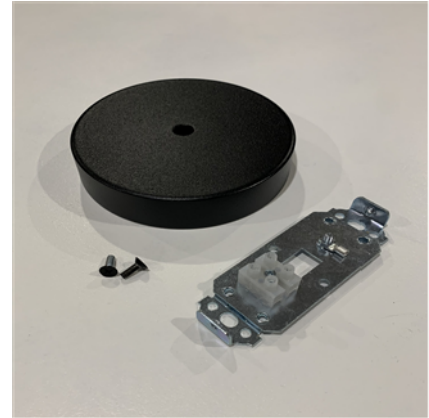
Elettra has a complete selection of cord grips and wire clamps available that can be fitted to the canopies.

Plastic collet style cord grip

Plastic cord grip with locking screw

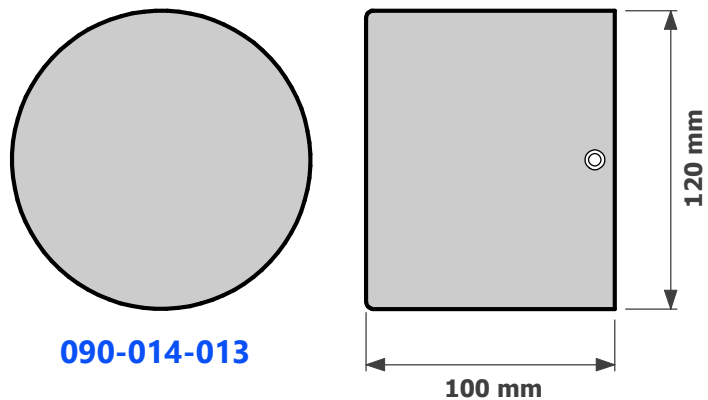
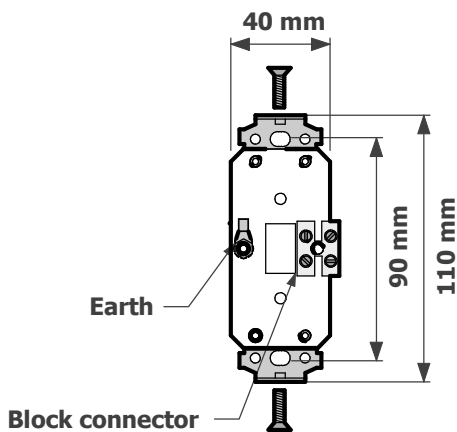
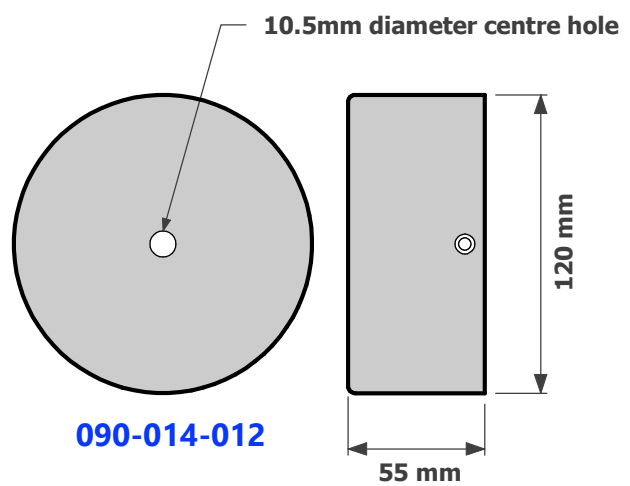
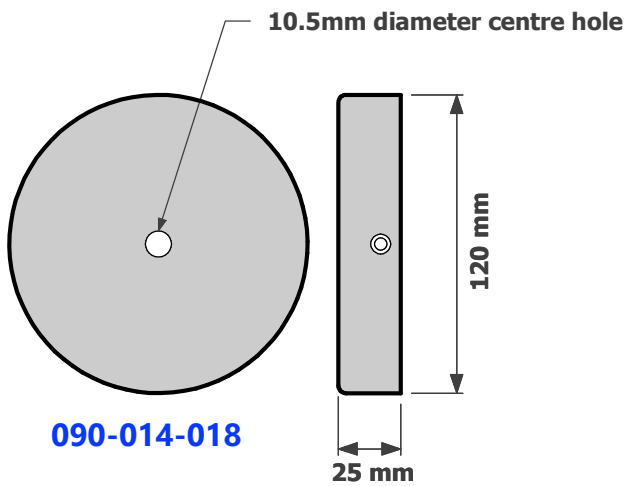
Brass cord grip with locking screw that can be painted to match the canopy finish.

Brass wire clamp that can be brushed or powder coated.



Every canopy is supplied with a mounting bracket.

Search these options under accessories at www.elettra.com.au



**120MM DIAMETER
CANOPY
DATA SHEET**

ELETTRA
products
www.elettraproducts.com.au

Please remember to confirm the finish of your order and any customising that may differ from the data sheet.

sales@elettra.com.au