

# 80MM DIAMETER CANOPY

## CUSTOMISING YOUR 80MM DIAMETER CANOPIES

Elettra has a complete selection of cord grips and wire clamps available that can be fitted to the canopies.

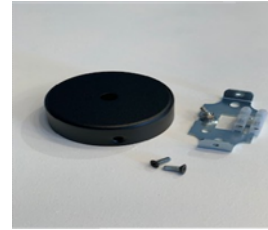
Plastic collet style cord grip

Plastic cord grip with locking screw

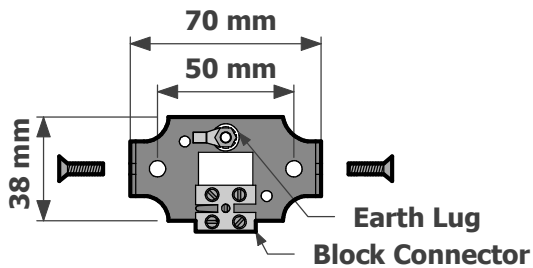
Brass cord grip with locking screw that can be painted to match the canopy finish.

Brass wire clamp that can be brushed or powder coated.

Search these options under accessories at [www.elettra.com.au](http://www.elettra.com.au)

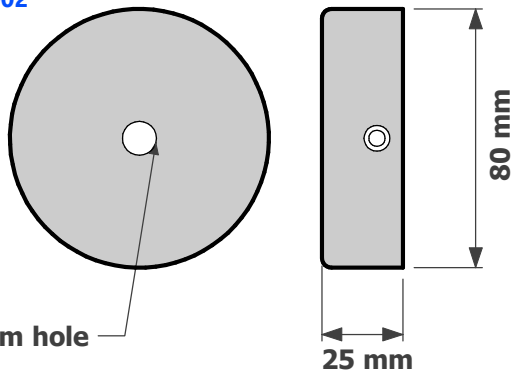


Every canopy is supplied with a mounting bracket.

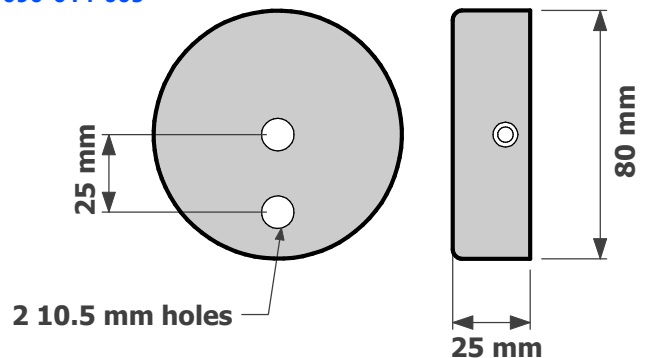


Brass and copper available in 80mm diameter by 25mm deep.

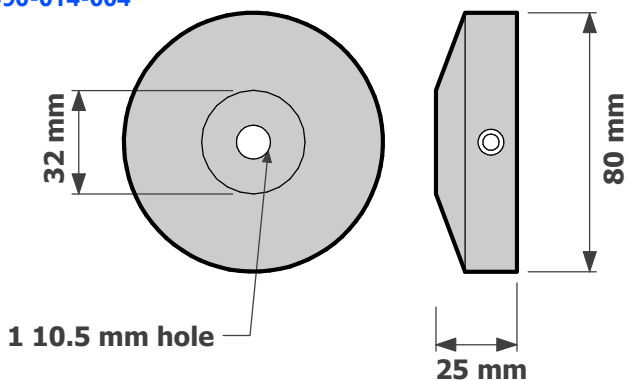
80mm x 25mm  
Flat canopy.  
090-014-002



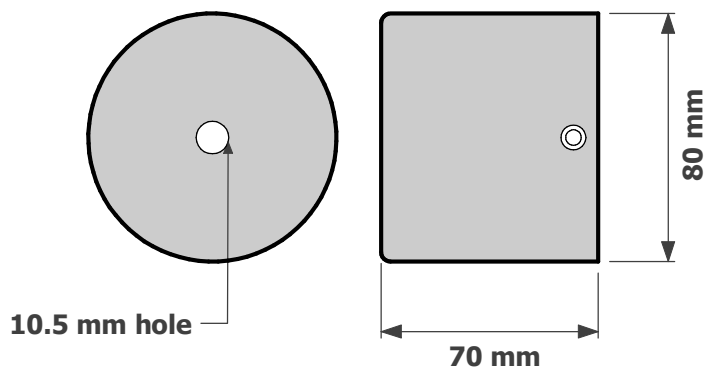
80mm x 25mm wire  
suspension canopy.  
090-014-005



80mm x 25mm  
Cone canopy.  
090-014-004



80mm x 70mm  
Transformer canopy.  
090-014-022



80MM DIAMETER  
CANOPY  
DATA SHEET

**ELETTRA**  
products  
[www.elettraproducts.com.au](http://www.elettraproducts.com.au)

Please remember to confirm the finish of your order and any customising that may differ from the data sheet.

[sales@elettra.com.au](mailto:sales@elettra.com.au)