

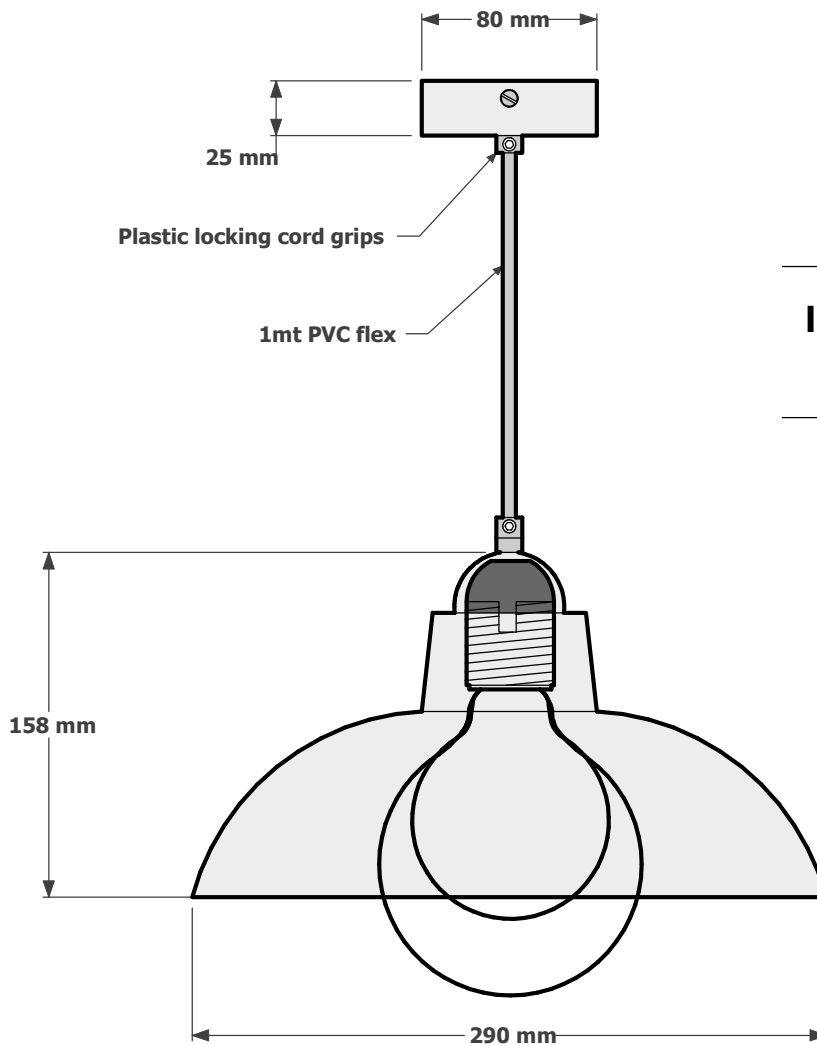
IRIS PENDANT

CREATING YOUR OWN CUSTOM IRIS PENDANT

THE IRIS PENDANT COMES STANDARD IN ALUMINIUM WITH AN 80MM DIAMETER CANOPY, 1MT PVC FLEX AND AN E27 LAMPHOLDER. GLOBES NOT SUPPLIED.

Elettra has a complete selection of ceiling canopies and coverplates to choose from.
Various fabric cables and rods available.
Metal cord grips, that can be finished to match your shade.
The Iris pendant can be made to order in copper.
Available in an extensive range of powder coats and finishes.

Search these options under accessories and finishes at www.elettra.com.au



IRIS PENDANT
020-812-001

**IRIS PENDANT
DATA SHEET**

www.elettra.com.au

ELETTRA
products

Please remember to confirm the finish of your order and any customising that may differ from the data sheet.

sales@elettra.com.au