

# DIY ROD LENGTH ADJUSTMENT

## CUSTOMISING YOUR ROD LENGTHS

The **6MM ROD GRUB SCREW ADAPTOR** can slide over the 6mm diameter rod, and be locked into place with the grub screw allowing rod length options. The M10 external thread can then be attached to the fitting or ceiling canopy. **PRODUCT CODE 090-012-003**

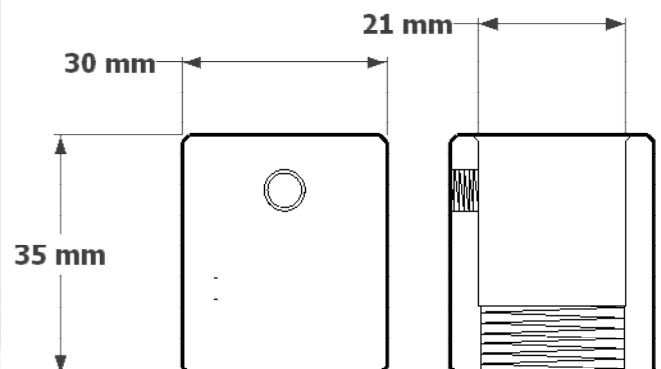
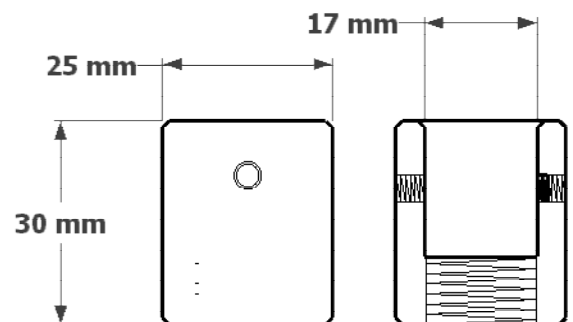
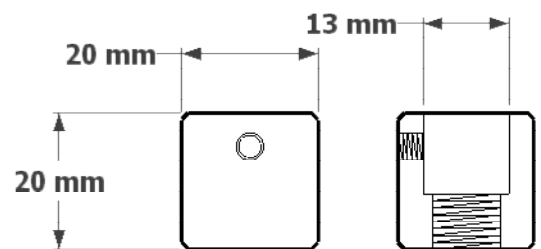
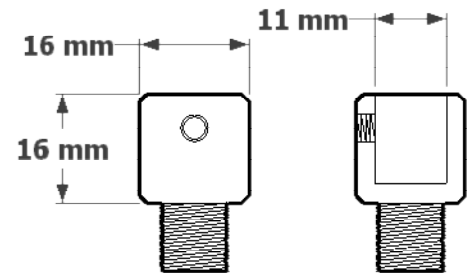
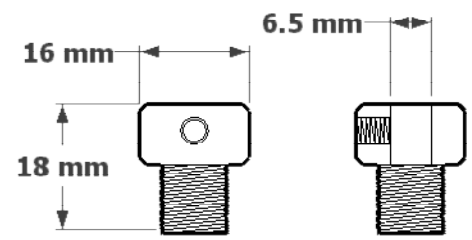
The **10MM ROD GRUB SCREW ADAPTOR** can be locked onto the end of the 10mm diameter rod and the external M10 thread can be used to attach the rod to a fitting. **PRODUCT CODE 090-012-004**

The **12MM ROD GRUB SCREW ADAPTOR** can be locked onto the 12mm diameter rod with the grub screw and the M10 internal thread available for further attachments. **PRODUCT CODE 090-012-036**

The **16MM ROD GRUB SCREW ADAPTOR** can be locked onto the 16mm diameter rod at the required length with two grub screws, with a M16 internal thread for further options for attachments. **PRODUCT CODE 090-012-039**

The **20MM ROD GRUB SCREW ADAPTOR** can be fixed to the 20mm diameter rod with one M6 grub screw with a M20 internal thread to allow for the adaptor to be fitted off. **PRODUCT CODE 090-012-024**

Available in an extensive range of powder coats and finishes.



DIY ROD LENGTH  
ADJUSTMENT  
DATA SHEET

**ELETTRA**  
products

[www.elettraproducts.com.au](http://www.elettraproducts.com.au)

Please remember to confirm the finish of your order and any customising that may differ from the data sheet.

[sales@elettra.com.au](mailto:sales@elettra.com.au)