

METRO TEN SURFACE MOUNT

CUSTOMISING YOUR METRO TEN, SURFACE MOUNTED FITTING.

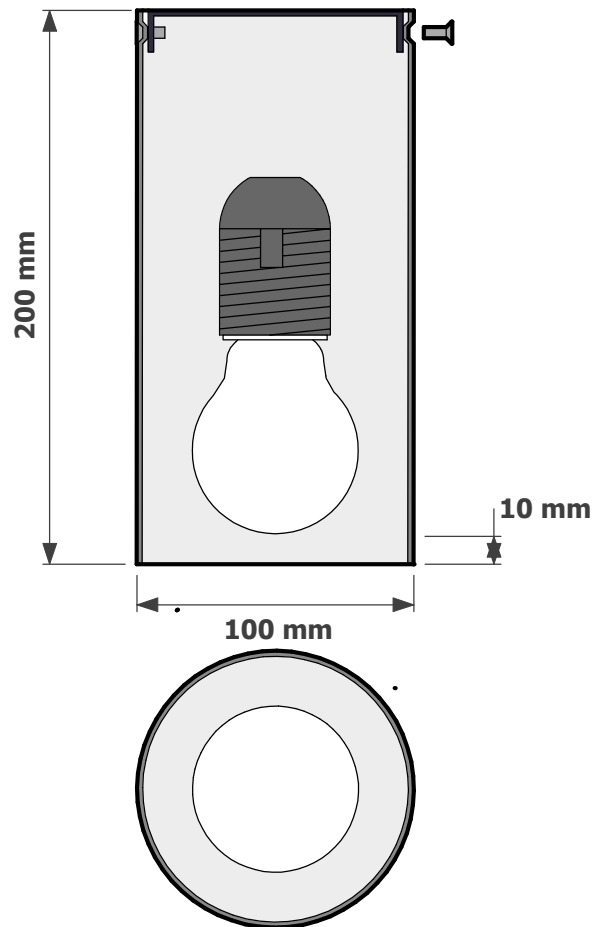
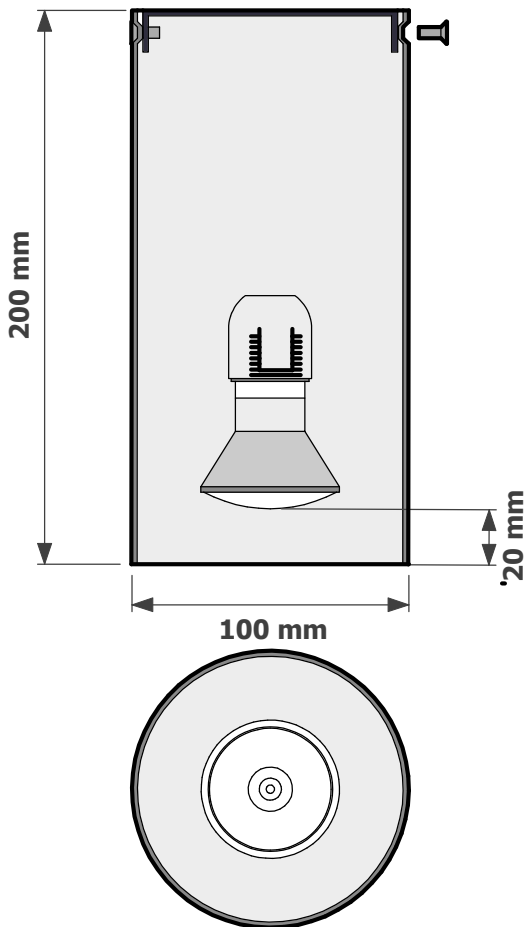
The metro ten has been drawn 200mm long, although they can be manufactured to your own required length. The metro ten can be manufactured from brass and copper and are available in an extensive range of powder coats and finishes.

Search these options under accessories and finishes at www.elettra.com.au



PRODUCT CODE

200mm long	050-310-104
500mm long	050-310-112
1000mm long	050-310-115



METRO TEN SURFACE MOUNTED DATA SHEET

www.elettra.com.au



Please remember to confirm the finish of your order and any customising that may differ from the data sheet.

sales@elettra.com.au