

100MM DIAMETER CANOPIES

CUSTOMISING YOUR 100MM DIAMETER CANOPIES

Elettra has a complete selection of cord grips and wire clamps available that can be fitted to the canopies.

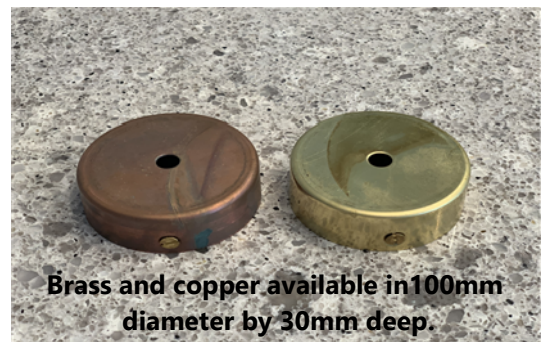
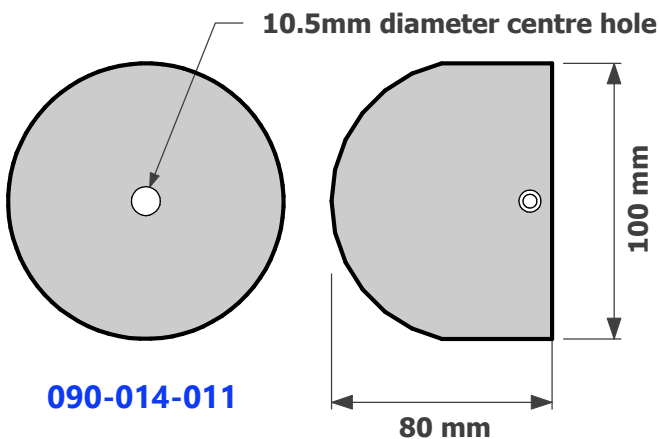
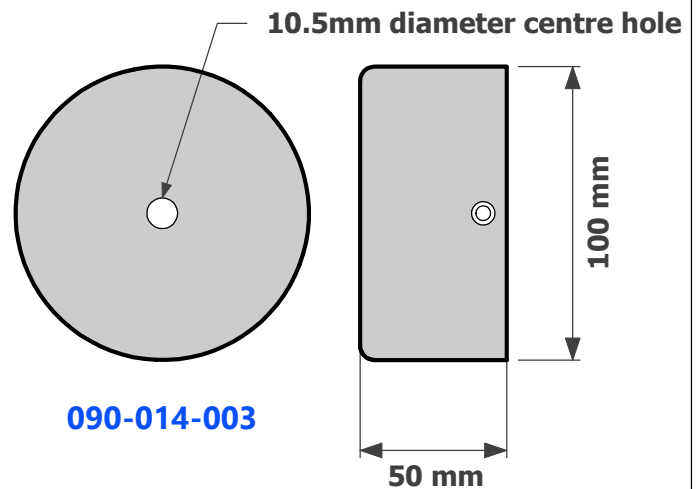
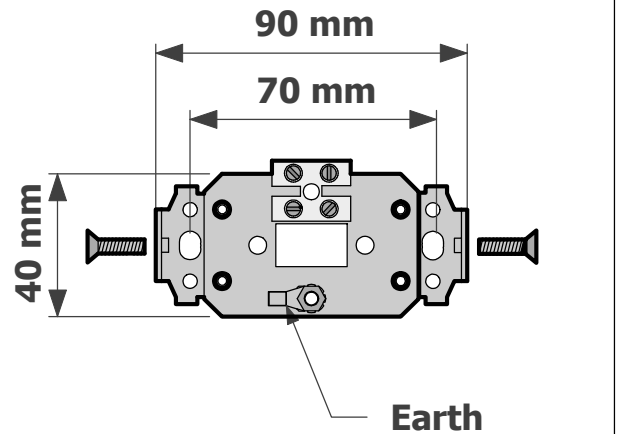
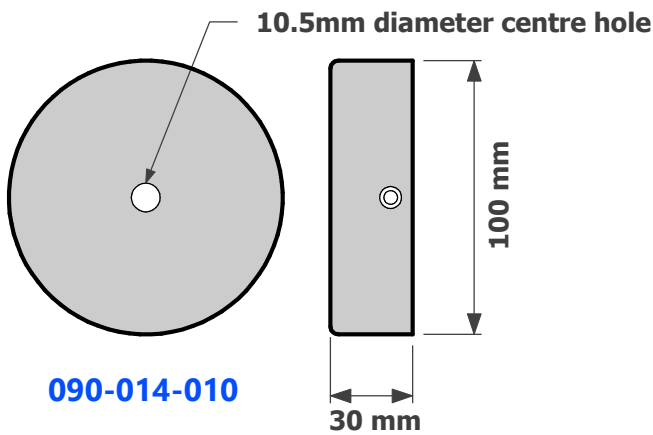
Plastic collet style cord grip

Plastic cord grip with locking screw

Brass cord grip with locking screw that can be painted to match the canopy finish.

Brass wire clamp that can be brushed or powder coated.

Search these options under accessories at www.elettra.com.au



100MM DIAMETER
CANOPY
DATA SHEET

ELETTRA
products
www.elettraproducts.com.au

Please remember to confirm the finish of your order and any customising that may differ from the data sheet.

sales@elettra.com.au