

# TRABALL PENDANT

## CREATING YOUR OWN CUSTOM TRABALL PENDANT

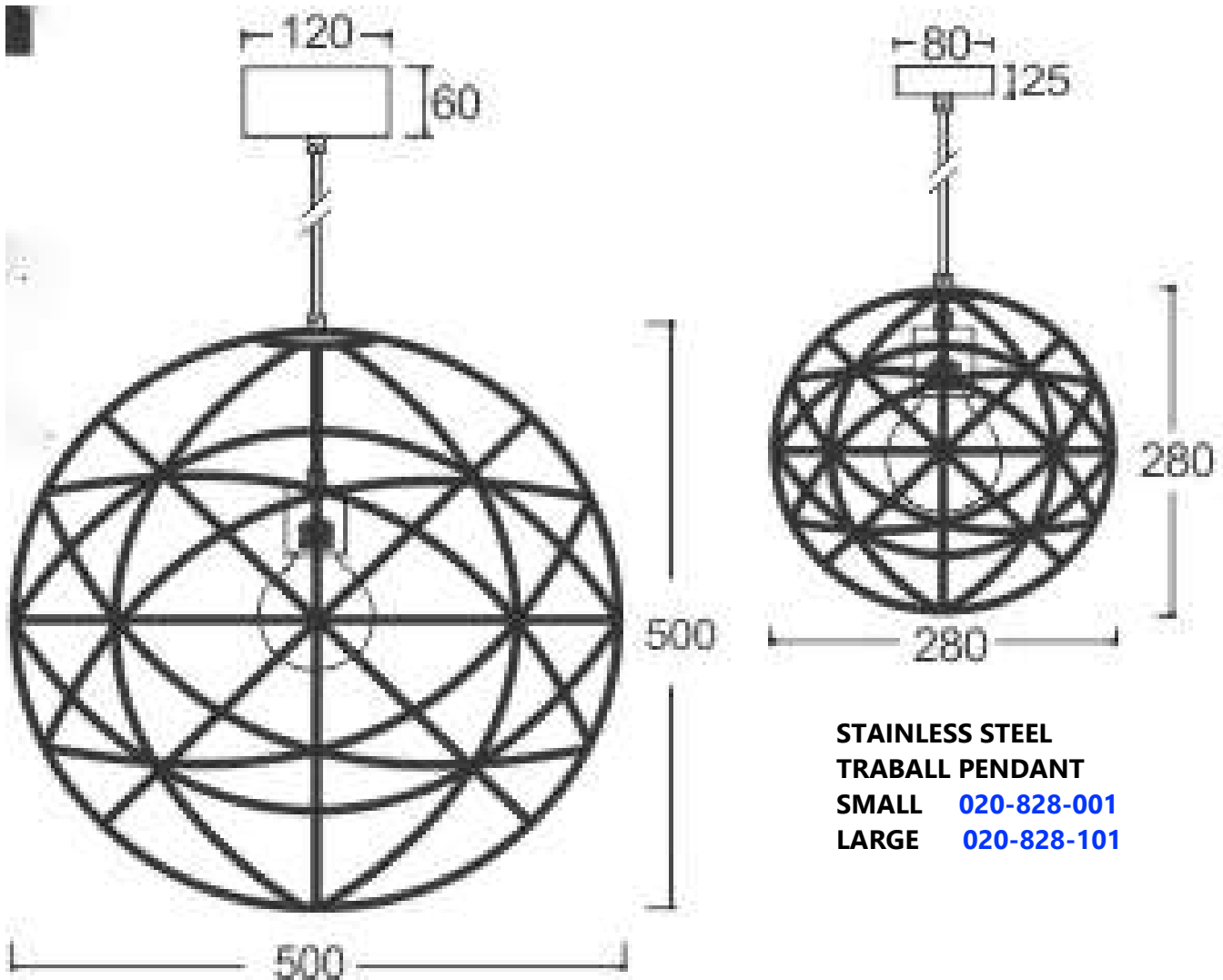
THE TRABALL PENDANT 280MM DIAMETER COMES STANDARD IN STAINLESS STEEL AND WITH A 80MM DIAMETER CANOPY, 1MT PVC FLEX AND AN E27 LAMP HOLDER. THE 500MM DIAMETER TRABALL COMES STANDARD WITH A 120MM DIAMETER CANOPY. GLOBE NOT SUPPLIED.

Elettra has a complete selection of ceiling canopies and coverplates to choose from.

Various fabric cables and rods available.

The Traball can be made to order in brass and copper.

[Search these options under accessories and finishes at www.elettra.com.au](http://www.elettra.com.au)



STAINLESS STEEL  
TRABALL PENDANT  
SMALL [020-828-001](tel:020-828-001)  
LARGE [020-828-101](tel:020-828-101)

TRABALL PENDANT  
DATA SHEET

[www.elettra.com.au](http://www.elettra.com.au)

**ELETTRA**  
products

Please remember to confirm the finish of your order and any customising that may differ from the data sheet.

[sales@elettra.com.au](mailto:sales@elettra.com.au)