

# 600MM DIAMETER CANOPY

## CUSTOMISING YOUR 600MM DIAMETER CANOPIES

Elettra has a complete selection of cord grips and wire clamps available that can be fitted to the canopies.

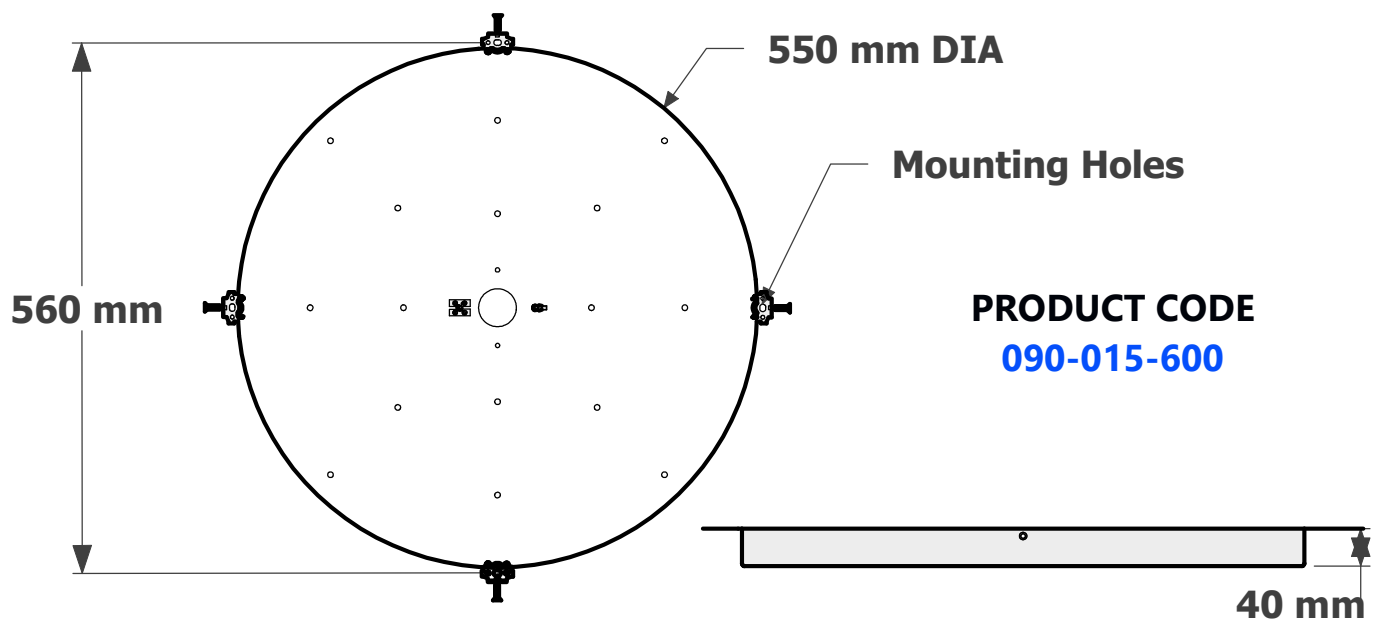
Plastic collet style cord grip

Plastic cord grip with locking screw

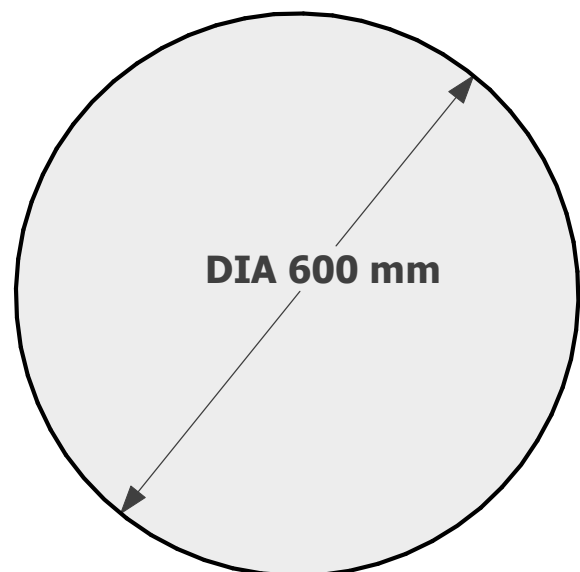
Brass cord grip with locking screw that can be painted to match the canopy finish.

Brass wire clamp that can be brushed or powder coated.

Search these options under accessories at [www.elettra.com.au](http://www.elettra.com.au)



Every canopy is supplied with a mounting bracket. Ensure that the fixing screws are attached to the surface through each of the mounting holes.



**600MM DIAMETER  
CANOPY  
DATA SHEET**

**ELETTRA**  
products  
[www.elettraproducts.com.au](http://www.elettraproducts.com.au)

Please remember to confirm the finish of your order and any customising that may differ from the data sheet.

[sales@elettra.com.au](mailto:sales@elettra.com.au)