

DOTTI 200 PENDANT

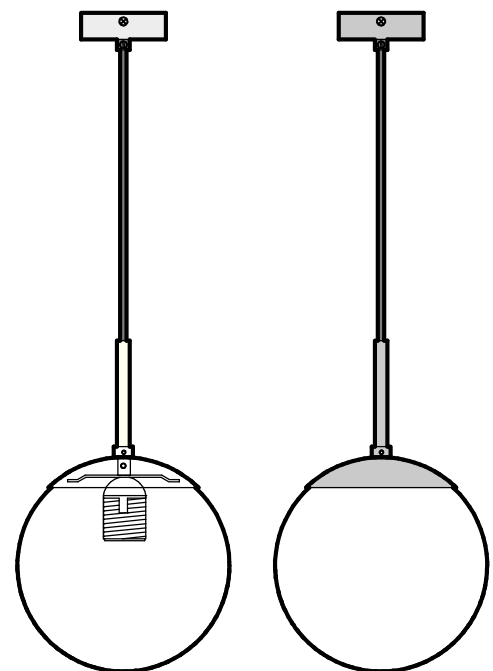
CREATING YOUR OWN CUSTOM DOTTI 200 PENDANT

The Dotti 200 pendant comes standard in aluminium with a 80mm diameter ceiling canopy and a 1 metre PVC flex. It is supplied with a 100mm long rod to support the glass although this can be made to any length. The Dotti 200 has the option of a shallow glass cover or a half sphere cover that can be supplied in brass or made to order in copper with the matching ceiling canopy. The 200mm diameter suede white glass has a 80mm diameter opening suitable for a small E27 globe. Elettra has a complete selection of ceiling canopies and cover plates to choose from and various fabric cables available if you would prefer. The Dotti pendant can be powder coated and finished to your specifications.

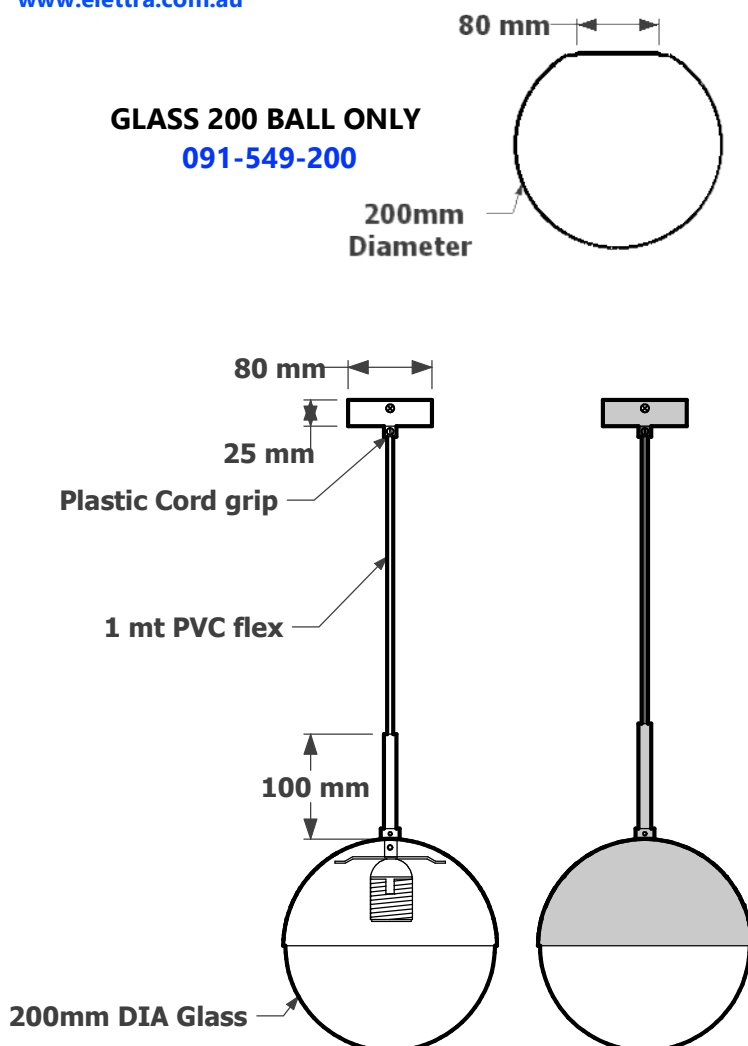
Search these options under accessories and finishes at www.elettra.com.au



DOTTI 200 SHALLOW COVER
[020-549-200](tel:020-549-200)



DOTTI 200 HALF COVER
[020-549-201](tel:020-549-201)



**DOTTI 200
DATA SHEET**

www.elettra.com.au

ELETTRA
products

Please remember to confirm the finish of your order and any customising that may differ from the data sheet.

sales@elettra.com.au