

## CENTURI PENDANT

When size matters this smooth pendant does the job. Hand spun and available in brushed aluminium and a range of colours. The Centuri Pendant is available with standard E27 lamp holder or multiple lamp holders as in the picture below. It is available on rod suspension or wire suspension. It comes standard with a 150mm diameter canopy and 1m of suspension. This pendant can be readily fitted with energy saving and dimmable globes or fitted with triple 17w or 11 watt integrated LED light modules. An acrylic diffuser is available as an option. The range of colours finishes, materials and flex colours ensure a full variety of options are available.

Elettra Products are Australian owned and manufactured.

**CENTURI PENDANT E27 1Metre c/w 150mm Canopy P/No: 020-831-001**



### Product Codes:

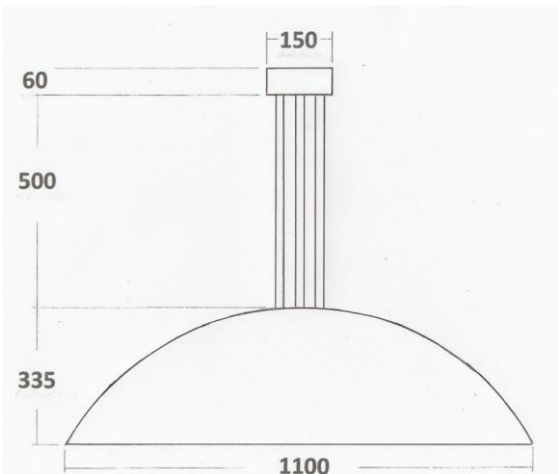
020-831-001 Centuri Pendant Multi E27 1m Drop 150mm canopy  
See website for list of standard powder coats

### Options available:

Acrylic Diffuser  
Multi E27 lampholders  
Integrated LED's 3 off (11W or 17W units)  
Brushed Internally

### Specifications:

Material : Aluminium construction  
Light Source : E27 / LED  
Finishes: Brushed Aluminium clear coated or Standard Powder coat colours  
Flex Colours: PVC Black, White, Clear  
Fabric Black, White, Red, Brown, Grey, Black/White  
Overall depth of reflector 335 mm  
Diameter 1100 mm  
Canopy Diameter 150mm



Elettra Products reserves the right to modify or change the product at any time.



Version pictured is spun from 3.0mm aluminium with black exterior and white interior. It is fitted with an acrylic diffuser.