

COVERPLATES WITH SPINGS

CUSTOMISING YOUR COVERPLATES

Elettra has a complete selection of cord grips available that can be fitted to the cover plates.

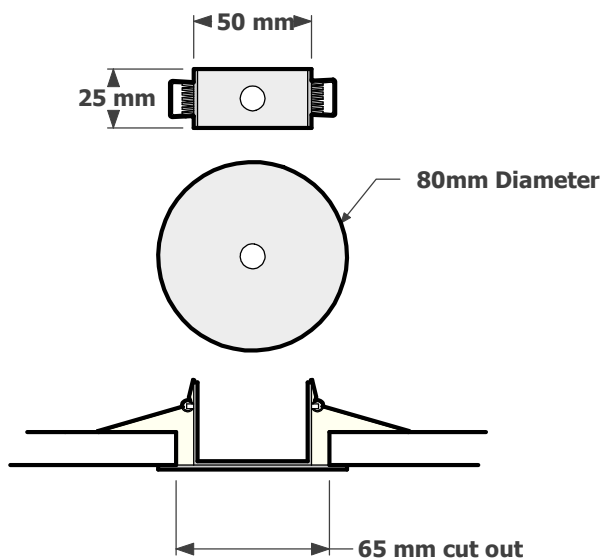
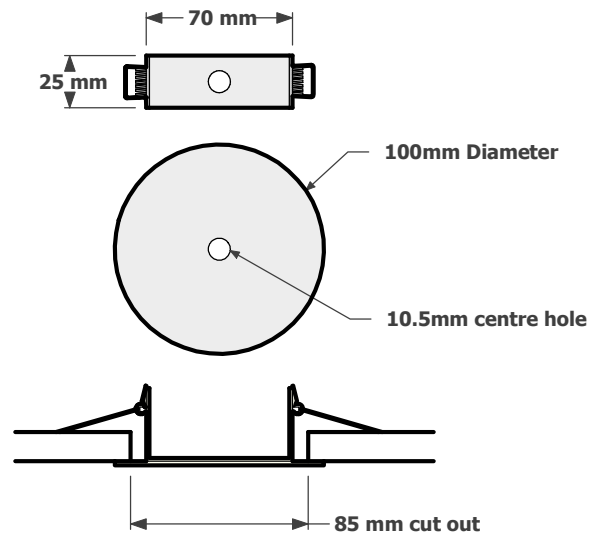
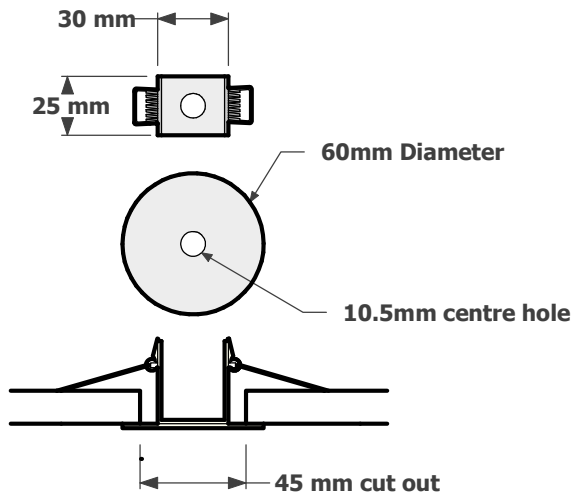
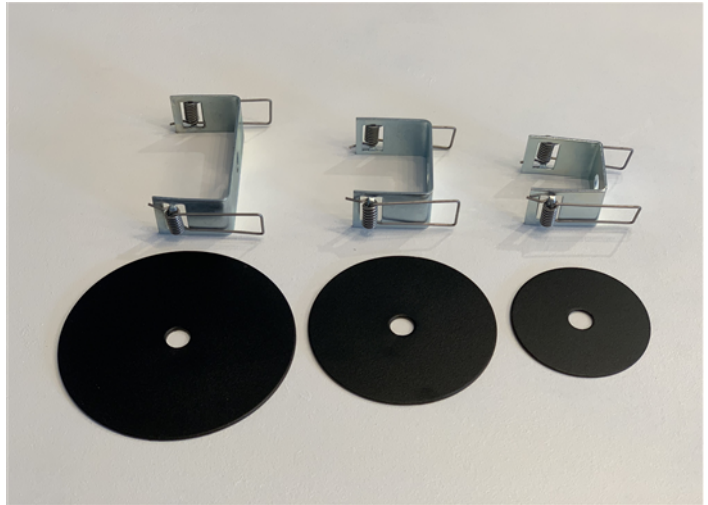
Plastic collet style

Plastic cord grip with locking screw

Brass with locking screw that can be painted to match the cover plate finish.

Available in an extensive range of powder coats and finishes.

Search these options under accessories at www.elettra.com.au



60mm DIA [090-013-009](tel:090-013-009)

80mm DIA [090-013-004](tel:090-013-004)

100mm DIA [090-013-002](tel:090-013-002)

COVERPLATES WITH
SPRINGS
DATA SHEET

ELETTRA
products

www.elettraproducts.com.au

Please remember to confirm the finish of your order and any customising that may differ from the data sheet.

sales@elettra.com.au