

80MM SQUARE CANOPIES

CUSTOMISING YOUR 80MM SQUARE CANOPIES

Elettra has a complete selection of cord grips and wire clamps available that can be fitted to the canopies.

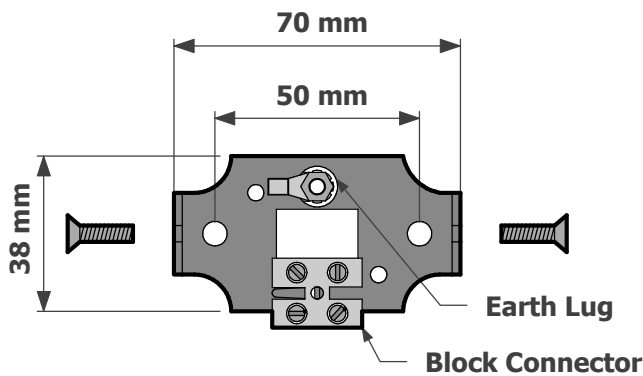
Plastic collet style cord grip

Plastic cord grip with locking screw

Brass cord grip with locking screw that can be painted to match the canopy finish.

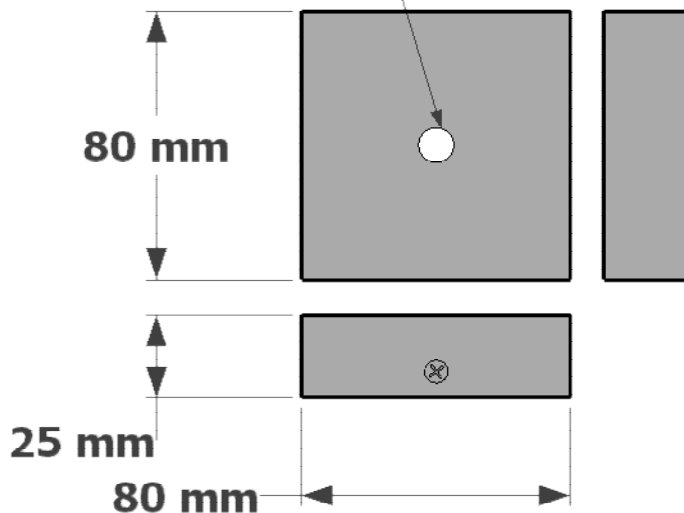
Brass wire clamp that can be brushed or powder coated.

Search these options under accessories at www.elettra.com.au



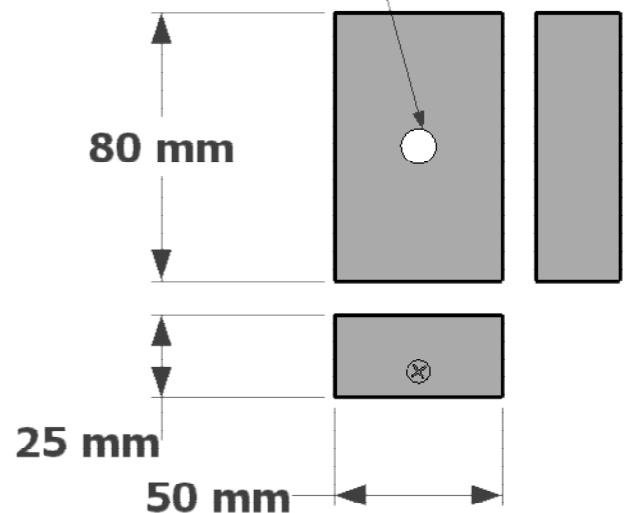
Every canopy is supplied with a mounting bracket.

10.5mm DIA Hole



PRODUCT CODE
090-014-006

10.5mm DIA Hole



PRODUCT CODE
090-014-020

80MM SQUARE
CANOPIES
DATA SHEET

ELETTRA
products
www.elettraproducts.com.au

Please remember to confirm the finish of your order and any customising that may differ from the data sheet.

sales@elettra.com.au