

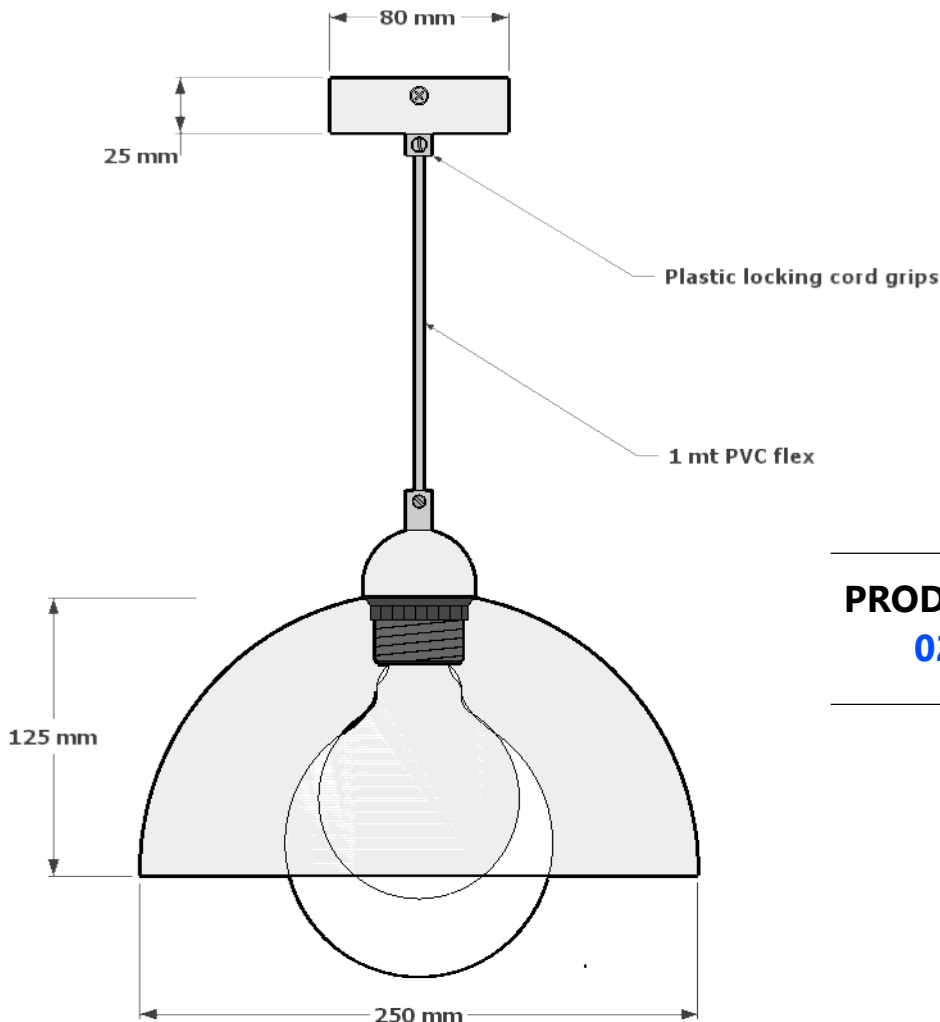
ORBIT 250 PENDANT

CREATING YOUR OWN CUSTOM ORBIT 250 PENDANT

THE ORBIT 250 COMES STANDARD IN ALUMINIUM ON AN 80MM DIAMETER CANOPY, 1MT PVC FLEX AND A E27 LAMPHOLDER. GLOBES NOT SUPPLIED.

Elettra has a complete selection of ceiling canopies and coverplates to choose from.
Various fabric cables and rods available.
Metal cord grips, that can be finished to match your shade.
The orbit 250 can be made to order in copper and is available in an extensive range of powder coats.

Search these options under accessories and finishes at www.elettra.com.au



PRODUCT CODE
020-824

ORBIT 250 PENDANT DATA SHEET

www.elettra.com.au



Please remember to confirm the finish of your order and any customising that may differ from the data sheet.

sales@elettra.com.au