

ASTRO 150 DISK WALL LIGHT

CUSTOMISING YOUR ASTRO 150MM DISK WALL LIGHT

The Astro 150 Disk wall light comes standard with a 150mm diameter aluminium disk and an ES lampholder that is fitted neatly into a 50mm diameter by 75mm long aluminium cover. It has been designed with a 150mm diameter disk that can be sat just slightly away from the wall and attached to the surface by a canopy, or providing a hole can be cut into the wall the disk can be fitted hard up against it with springs holding it in place.

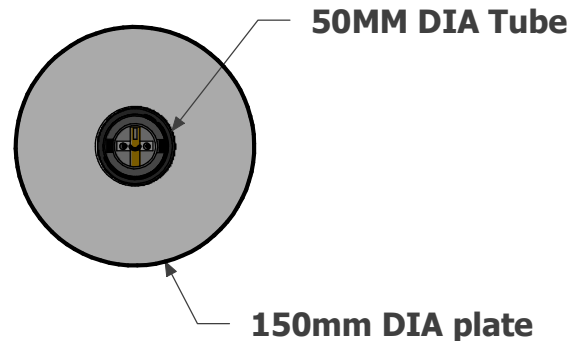
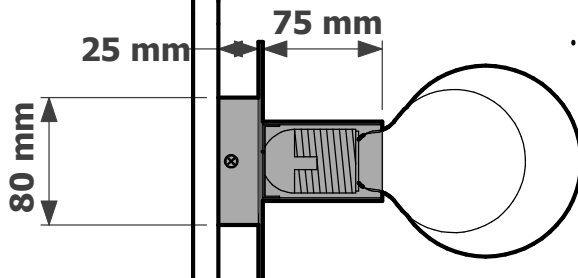
The disk can be manufacture in bigger diameters if required and the entire fitting can be made from brass or copper and completed in numerous powder coats and various quality finishes.

Search these options under finishes at www.elettra.com.au

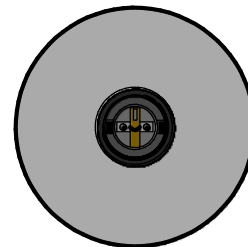
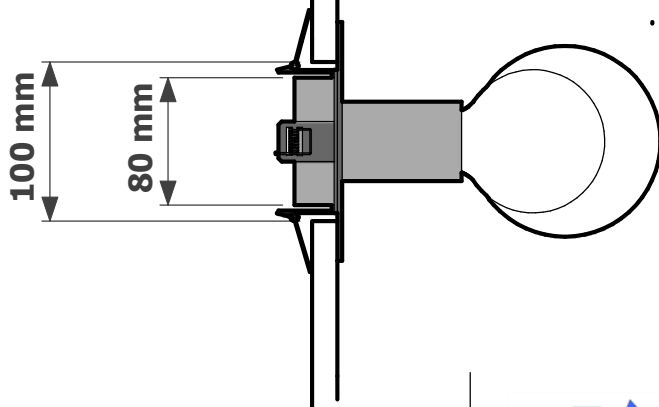


PRODUCT CODES

Surface mounted Astro 150 disk wall light
050-380-002



PRODUCT CODE
Recessed Astro 150 disk wall light
050-380-001



ASTRO 150MM DISK
WALL LIGHT
DATA SHEET

ELETTRA
products

www.elettraproducts.com.au

Please remember to confirm the finish of your order and any customising that may differ from the data sheet.

sales@elettra.com.au