

QUADRO SIX AND QUADRO EIGHT SURFACE MOUNT

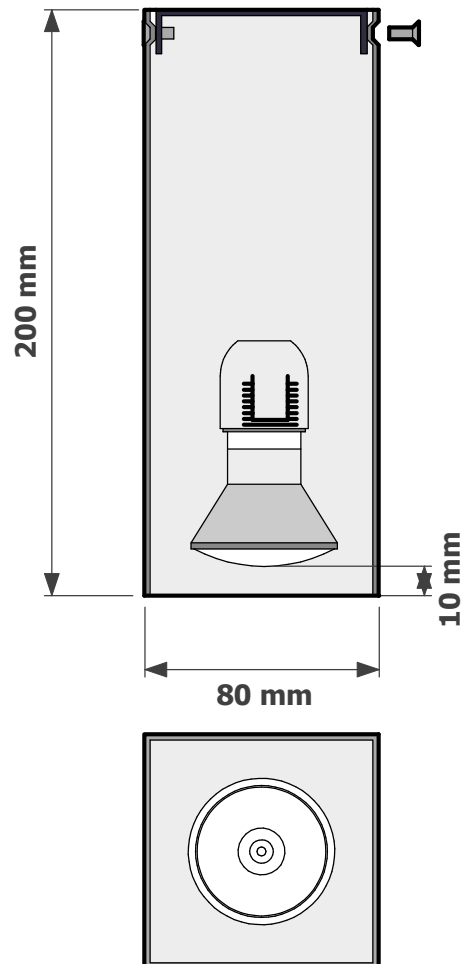
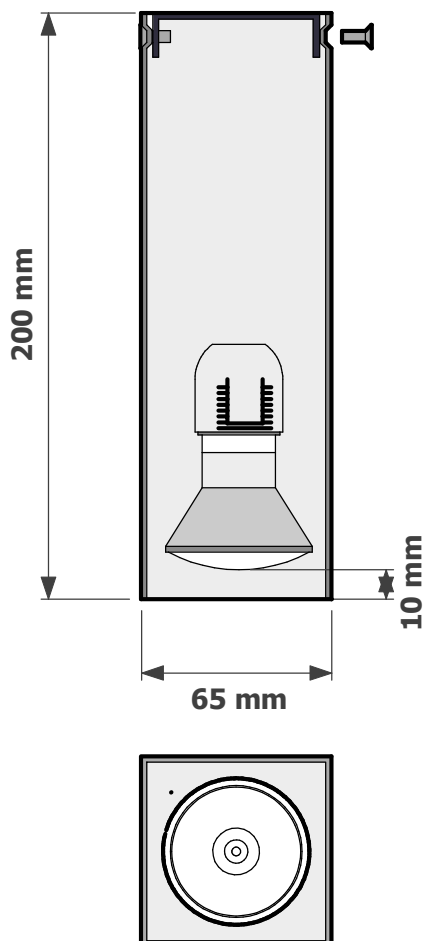
CUSTOMISING YOUR METRO TEN SURFACE MOUNTED FITTING.

The Quadro six and Quadro eight have been drawn 150mm long, although they can be manufactured to your own required length. Both the Quadro six and eight can be completed in an extensive range of powder coats and finishes.

Search these options under accessories and finishes at www.elettra.com.au



	PRODUCT CODE QUADRO SIX	PRODUCT CODE QUADRO EIGHT
200mm long	050-306-	050-310-
400mm long	050-306-	050-310-
800mm long	050-306-	050-310-



**QUADRO SIX AND
QUADRO EIGHT SURFACE
MOUNTED DATA SHEET**

www.elettra.com.au



Please remember to confirm the finish of your order and any customising that may differ from the data sheet.

sales@elettra.com.au