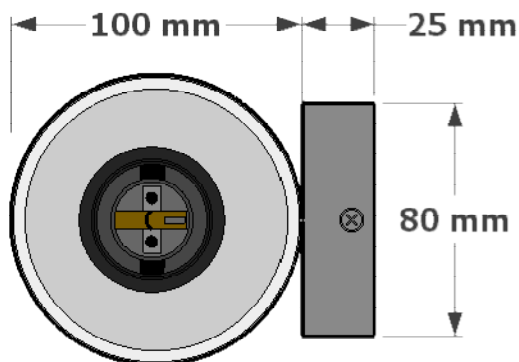


# IGG WALL LIGHT

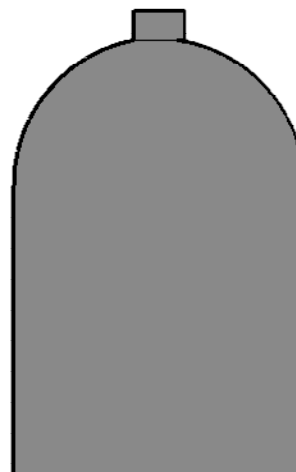
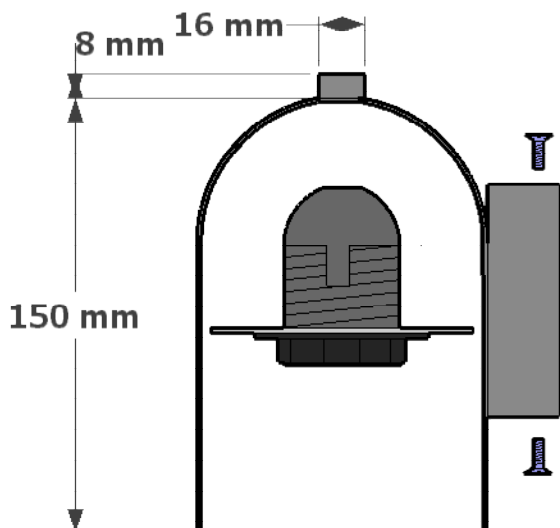
## CREATING YOUR OWN CUSTOM IGG WALL LIGHT FITTING.

The Igg wall light comes standard with a E27 lamp holder and fixed to a 80mm diameter canopy. The Igg wall light can be made to order in brass and copper and is available in an extensive range of powder coats and finishes.

Search these options under accessories and finishes at [www.elettra.com.au](http://www.elettra.com.au)



ALUMINIUM IGG WALL LIGHT  
PRODUCT CODE: [010-805-002](#)



## IGG WALL LIGHT DATA SHEET

[www.elettra.com.au](http://www.elettra.com.au)



Please remember to confirm the finish of your order and any customising that may differ from the data sheet.

[sales@elettra.com.au](mailto:sales@elettra.com.au)