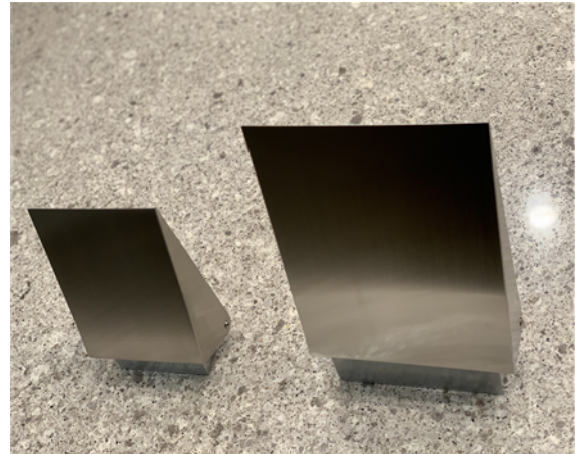


VECTOR WALL LIGHT

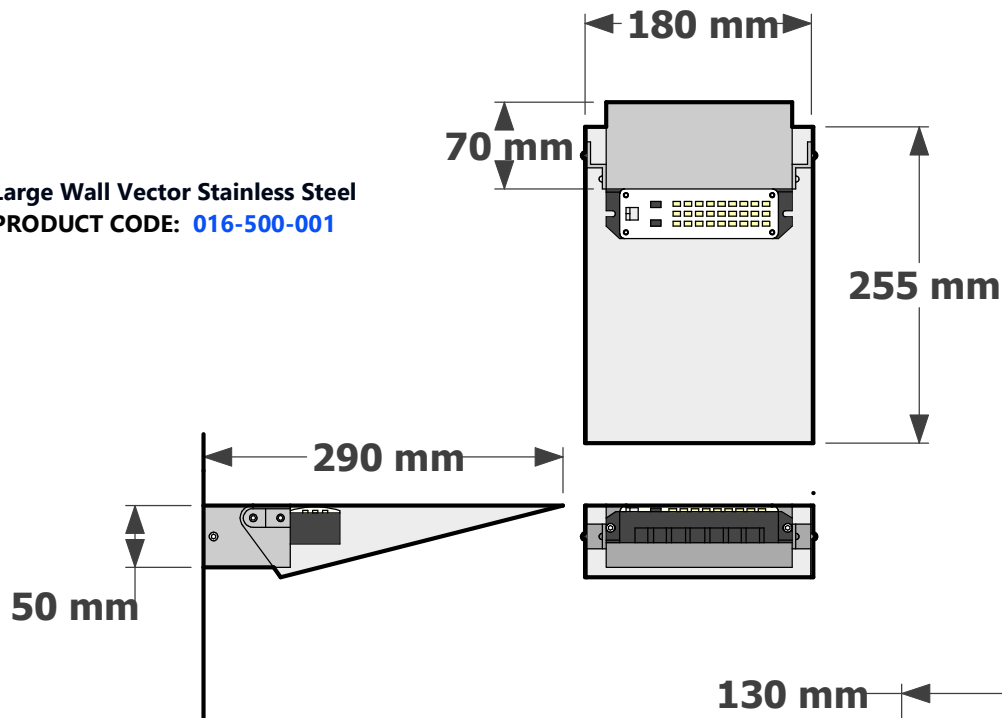
CUSTOMISING YOUR VECTOR WALL LIGHT

The Vector wall up light comes standard with a standard steel shield which can also be completed in any powder coat or a brushed finish. The main reflector for both the Large and Mini Vector can be made to order in brass or copper and completed to suit each project. The Large Vector is supplied with a 13watt linear LED while the Mini Vector is supplied with a 17watt module LED.

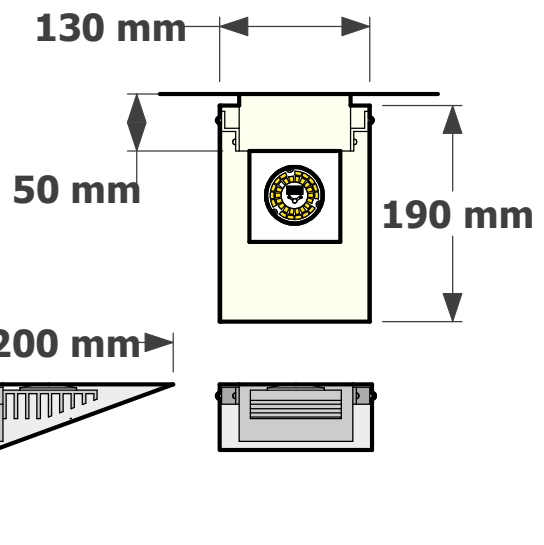
Search the powder coat options under finishes at www.elettra.com.au



Large Wall Vector Stainless Steel
PRODUCT CODE: 016-500-001



Mini Vector Wall Stainless Steel
PRODUCT CODE: 016-500-002



VECTOR WALL LIGHT
DATA SHEET

ELETTRA
products

www.elettraproducts.com.au

Please remember to confirm the finish of your order and any customising that may differ from the data sheet.

sales@elettra.com.au