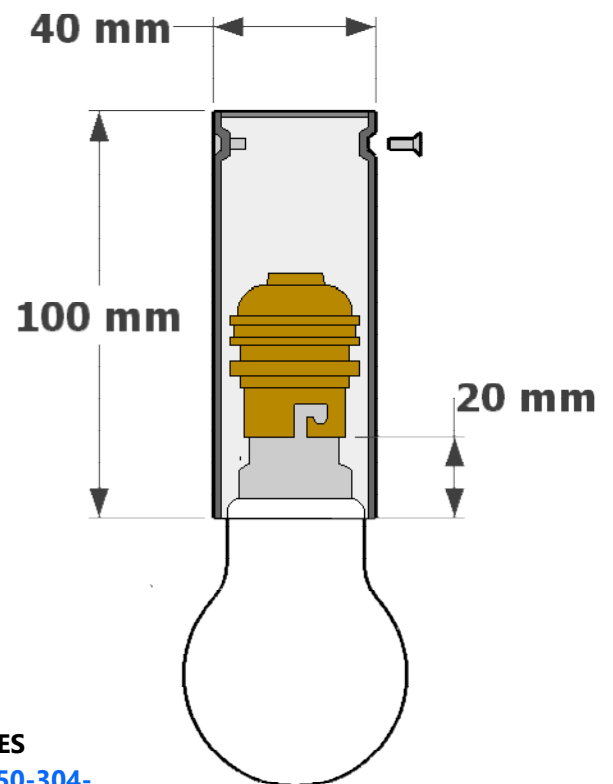
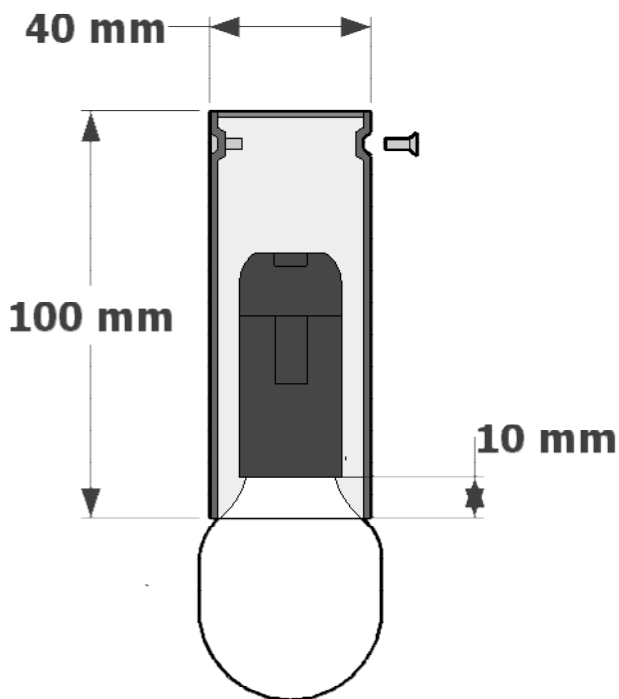


# METRO 4 SURFACE MOUNT

## CREATING YOUR OWN CUSTOM METRO FOUR SURFACE MOUNTED FITTING.

The metro four has been drawn 100mm long, although it can be manufactured to your own required length. The metro four can be made from brass and copper and is available in an extensive range of powder coats and finishes.

Search these options under accessories and finishes at [www.elettra.com.au](http://www.elettra.com.au)



### PRODUCT CODES

100mm Long  
300mm long  
500mm long

050-304-  
050-304-  
050-304-

## METRO FOUR SURFACE MOUNTED DATA SHEET

[www.elettra.com.au](http://www.elettra.com.au)



Please remember to confirm the finish of your order and any customising that may differ from the data sheet.

[sales@elettra.com.au](mailto:sales@elettra.com.au)